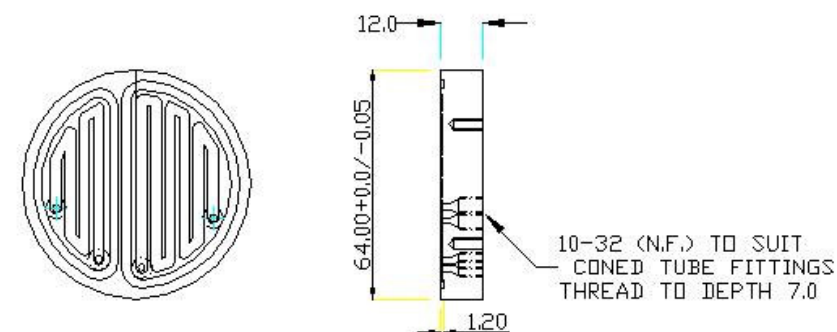


Eluents, samples

Compact

Inert

A really efficient and compact degasser which uses the latest membrane technology to achieve maximum degassing for use with eluent and sample stream degassing



©Analytical Sciences
All Rights Reserved

The case is manufactured from Stainless steel, with a permeable membrane fitted to a labyrinth. Liquid samples can be swiftly degassed – often without a separate vacuum source. All wetted parts are Teflon® and PEEK® with Viton® seals

Membrane Degasser

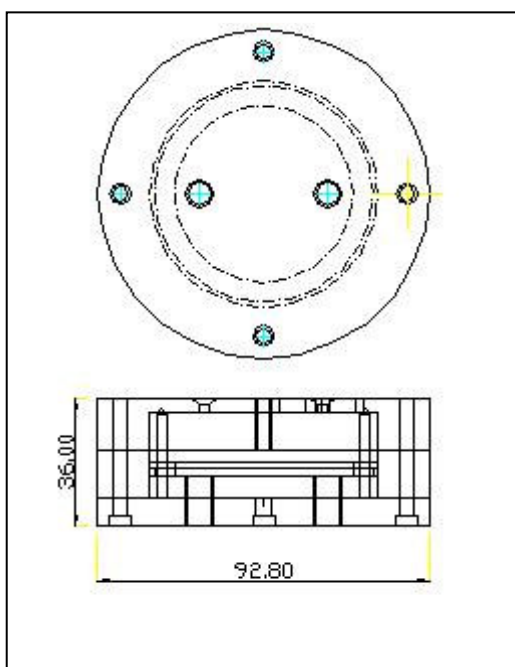
Efficient, robust

We offer a self-contained degassing module for use with eluent and sample stream degassing. The unit is available either with a single serpentine, or as a duplex unit with two separate (isolated) degassing serpentine. Degasses carbonated drinks, HPLC / IC eluent and samples containing bubbles from cavitations or dissolved gasses.

Frequently – if there is a few psig of pressure in the liquid line, applying a vacuum is not necessary to achieve excellent degassing. The system includes vacuum regulation to achieve constant conditions.

The serpentine is fitted into a stainless steel housing, but all wetted parts are PEEK and Teflon with Viton O-rings (alternative O-ring elastomers are available).

Tube connections are standard lab 10-32 coned fittings. The vacuum line accepts 1/8" OD Tubing.



Volume	1.25ml (0.8/0.45 ml duplex version)
Available configurations	Duplex and single degassing lines
Wetted Parts	Teflon®, PEEK® and Viton®
Typical flowrates	Up to 8ml/min (4ml/min duplex)
Max Pressure	4.0 Barg
Dimensions	Height: 100mm Width (diameter): 95mm Weight: 1.1Kg
Eluent/Sample Connections	10-32 NF coned fittings
Vacuum Connection	1/8" OD Tube or 5/16-24 NF Ports
Operating range	-20° to 140°c

Teflon® is a Registered Trademark of E.I. du Pont de Nemours and Company. PEEK® is a Registered Trademark of Victrex PLC. Viton® is a Roistered trademark of Dupont Performance Elastomers LLC

Membrane Degasser

Efficient, Robust